

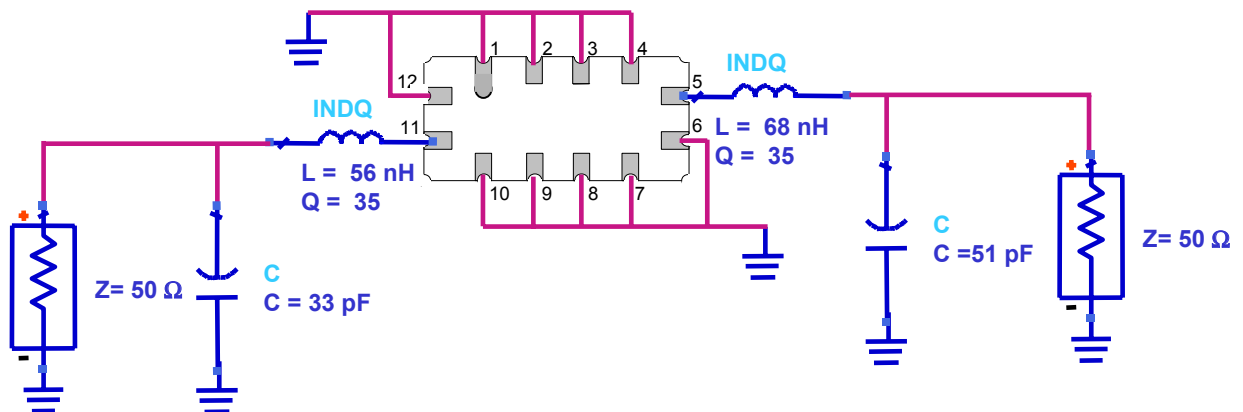
# Model SF1006

## • Specifications



	Unit	Min.	Typical	Max
Center Frequency, Fc	MHz		140	
Insertion Loss	dB		25.3	28.0
1 dB Bandwidth	MHz	20.0	20.7	
3 dB Bandwidth	MHz	20.5	21.2	
30 dB Bandwidth	MHz		23.3	24.0
Group Delay Ripple	P-P nsec		40	200
Passband Ripple	P-P dB		0.9	1.5
Ultimate Rejection	dBc	30	38.0	
Operating Temperature Range	°C	0	25	70
Absolute Group Delay	usec	0.8	0.85	0.9
Package	mm <sup>3</sup>	13.3 x 6.5 x 2.0		

## • Matching Circuit



MtronPTI reserves the right to make changes to the product(s) and service(s) described herein without notice. No liability is assumed as a result of their use or application.

Please see [www.mtronpti.com](http://www.mtronpti.com) for our complete offering and detailed datasheets. Contact us for your application specific requirements: MtronPTI 1-800-762-8800.